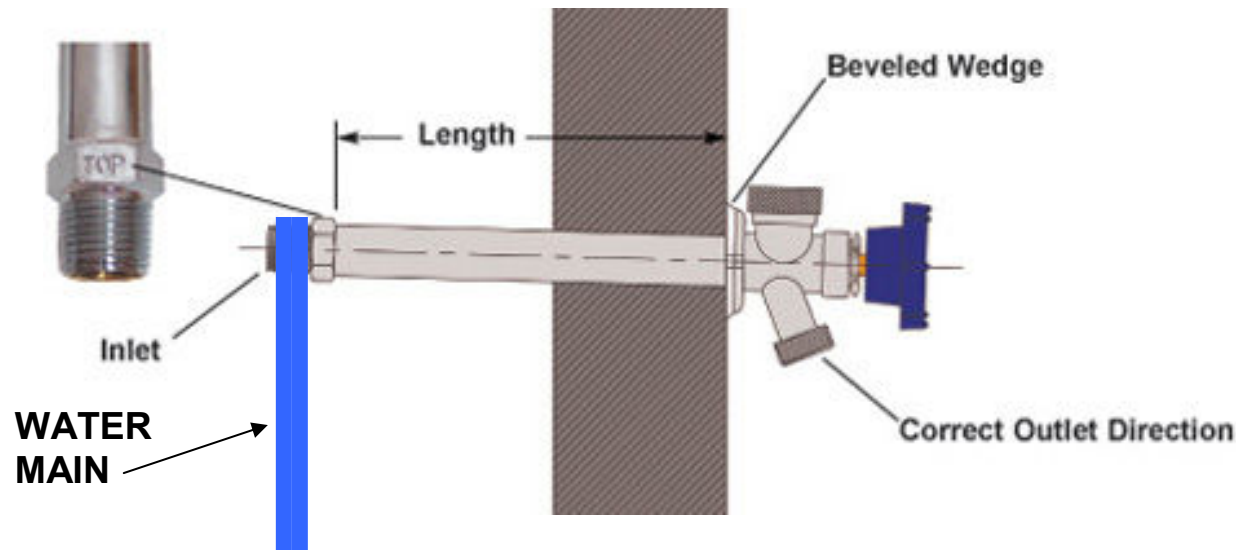


The Wall Tap

- The simple principle of this faucet saves time to the installer and allows the user to have water all year long without having to worry about draining the outside taps.
- When you open the water outside, the water flows through the tap.
- From the water main inside the house (in a frost free environment), and when you close it, the water remaining in the tap will automatically drain itself by the front of the tap.
- The two lengths available are 25cm and 30cm.



References:

- MADBSP10 for 25cm
- MADBSP12 for 30cm



MERRILL WALL TAP

Quality, Features and Benefits



ANTI-SIPHON SELF-DRAINING

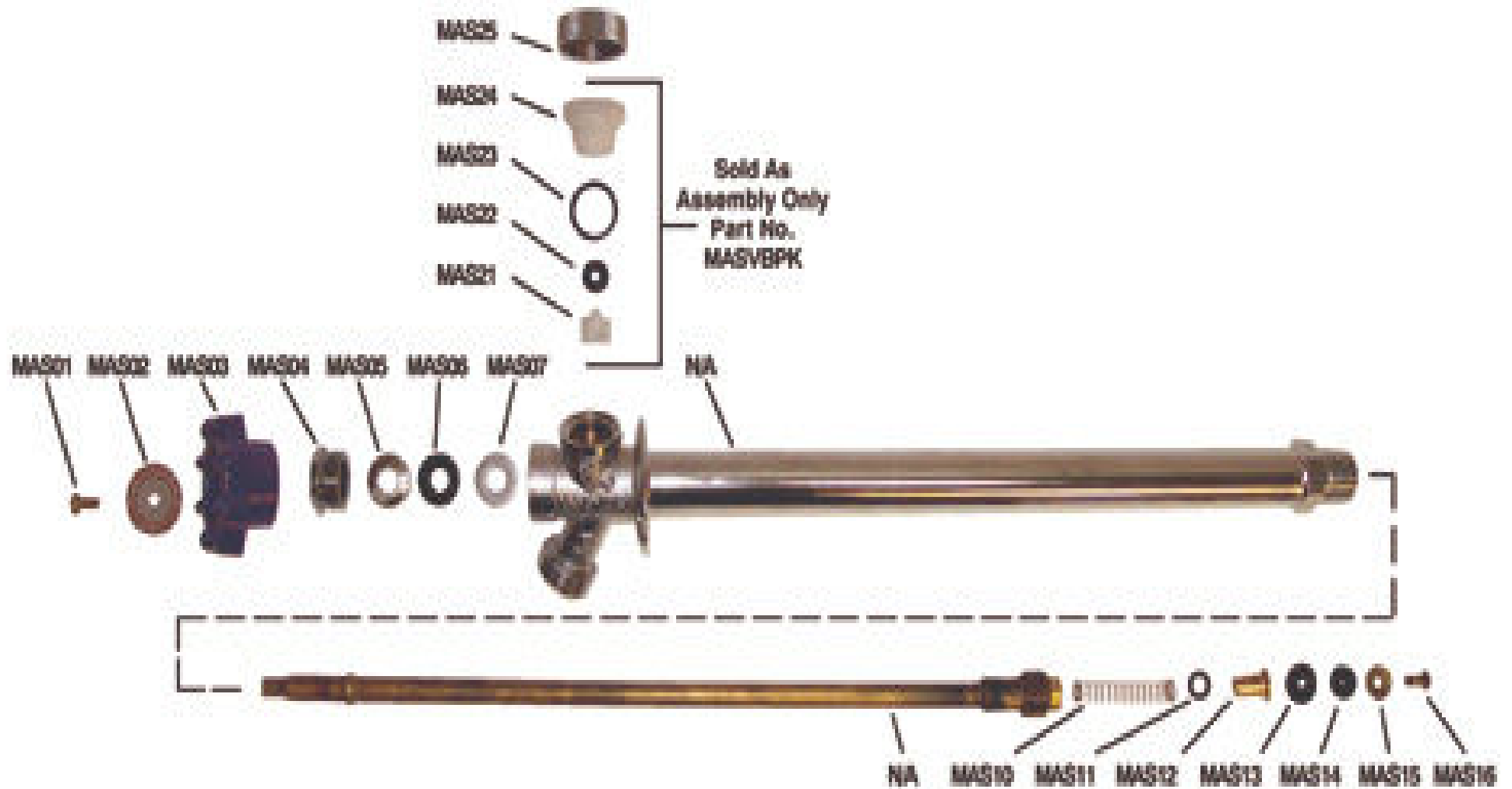
Frost Proof Wall Tap: Merrill MA Series of Frost Proof Wall Taps provide frost proof water supply plus ANTI-SIPHON and SELF-DRAINING protection.

Code Approvals: ASSE-1019A, CSA, UPC, E.A

- **Adjustable Packing Nut** - with rubber packing, instead of asbestos packing used by other companies.
- **Metal Handle** - for strength and long life.
- **End Connection** - allows easy installation and no need for oversized hole cut in wall.
- **Top Stamped** - on inlet end of wall tap, indicates outlet direction on outside of building when making connection on inside.
- **Chrome Plated** - for corrosion protection and better appearance for easy sales.
- **Anti-Siphon** - dual safety with air check at both nozzle and shut-off end connection.
- **Automatic Self-Draining** - when shut off, wall tap drains itself and an open end hose due to air check above nozzle.

MERRILL
MFG.®

WALL TAP PARTS



MERRILL
MFG.

WALL TAP PARTS 2

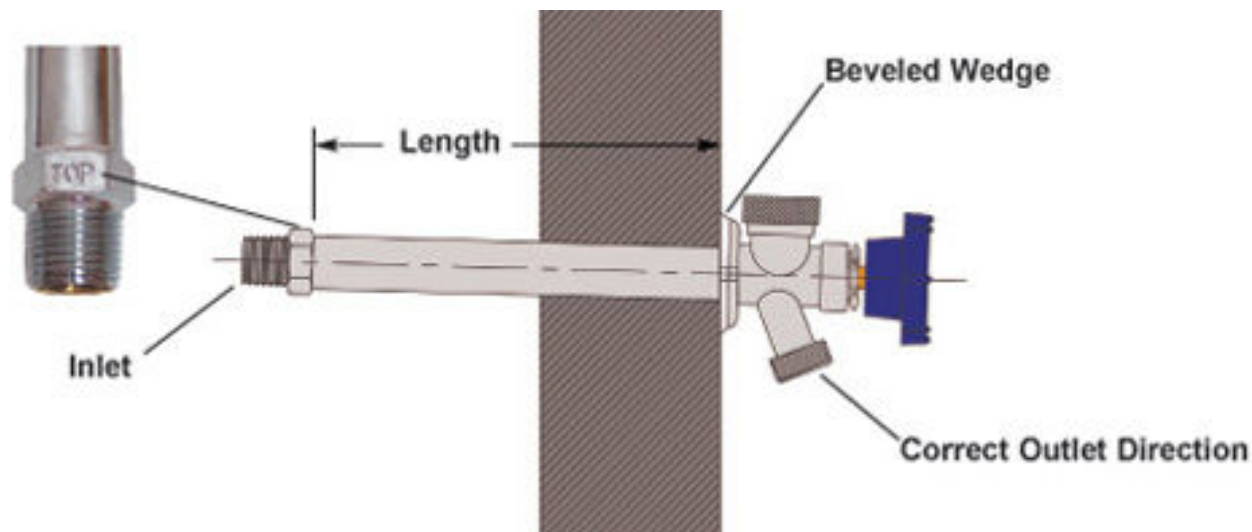
- **MADW 6 42367 01790 3 Beveled Wedge**
- **MAS01 6 42367 09980 0 Handle Screw**
- **MAS02 6 42367 09981 7 Handle Washer**
- **MAS03 6 42367 09982 4 Handle**
- **MAS04 6 42367 09984 8 Bonnet Nut**
- **MAS056 42367 09985 5 Packing Washer**
- **MAS066 42367 09986 2 Packing**
- **MAS076 42367 09987 9 Flat Washer**
- **MAS106 42367 09989 3 Spring**
- **MAS116 42367 09990 9 O-Ring**
- **MAS126 42367 09991 6 Brass Seat**
- **MAS136 42367 09992 3 Seat Packing**
- **MAS146 42367 09993 0 Seat Washer**
- **MAS156 42367 09994 7 Bibb Washe**
- **rMAS166 42367 09995 4 Bibb Washer Screw**
- **MAS21Sold as VB Plunger**
- **MAS22Assembly Only VB Packing**
- **MAS23Part No. VB O-RingMAS24**
- **MASVBPK VB Bonnet**
- **MAS256 42367 09999 2 VB Cap**
- **MASVBPK6 42367 10001 8 VB Assembly**



MERRILL WALL TAP

Installation Instructions

- Install wall tap as shown using the Beveled Wedge supplied with MF Series and available for MA Series to achieve a downward slope. NOTE: The wall tap must be installed with downward slope from inlet to outlet and hose must be removed in freezing weather to allow tap to drain—if not done, the wall tap may freeze and be split by expanding ice, and warranty is voided. (TOP) stamped into Wall Tap Body makes installation easy—installer on inside can tell correct direction of outlet outside, by aligning (TOP) up on the inside.



MERRILL
MFG.®

INSTALLED EXAMPLES



MERRILL
MFG.®

EXAMPLES OF USAGE

- FOR NEW HOMES
- FOR THE GENERAL CONTRACTORS
- FOR REMODELING
- FOR THE FIRE DEPARTMENT
- FOR SCHOOLS
- FOR WAREHOUSES
- FOR CAMPGROUNDS
- FOR MOTORHOME AREAS
- FOR CLEANING AREAS
- FOR GARBAGE AREA CLEANING

